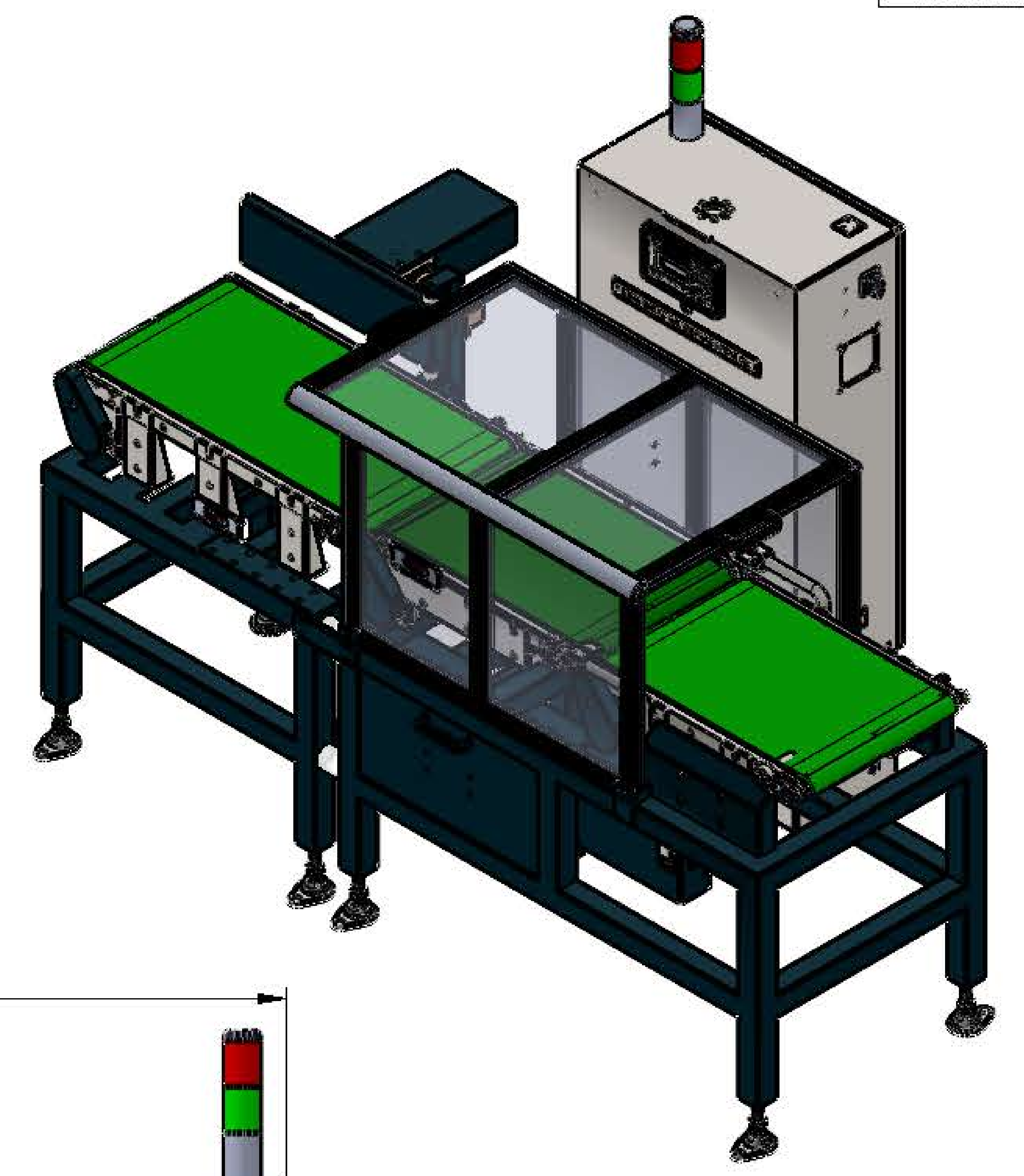
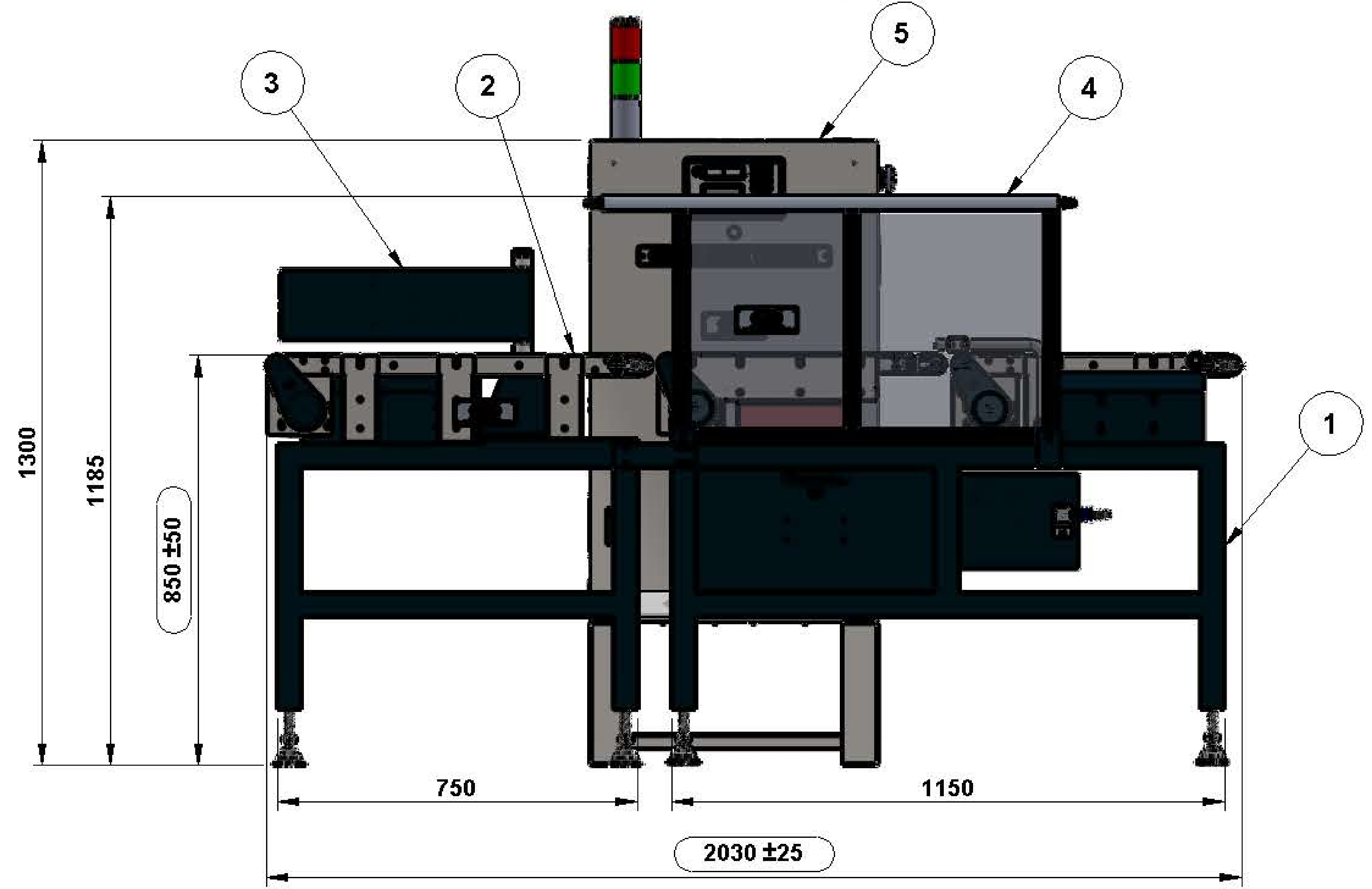


PLAN

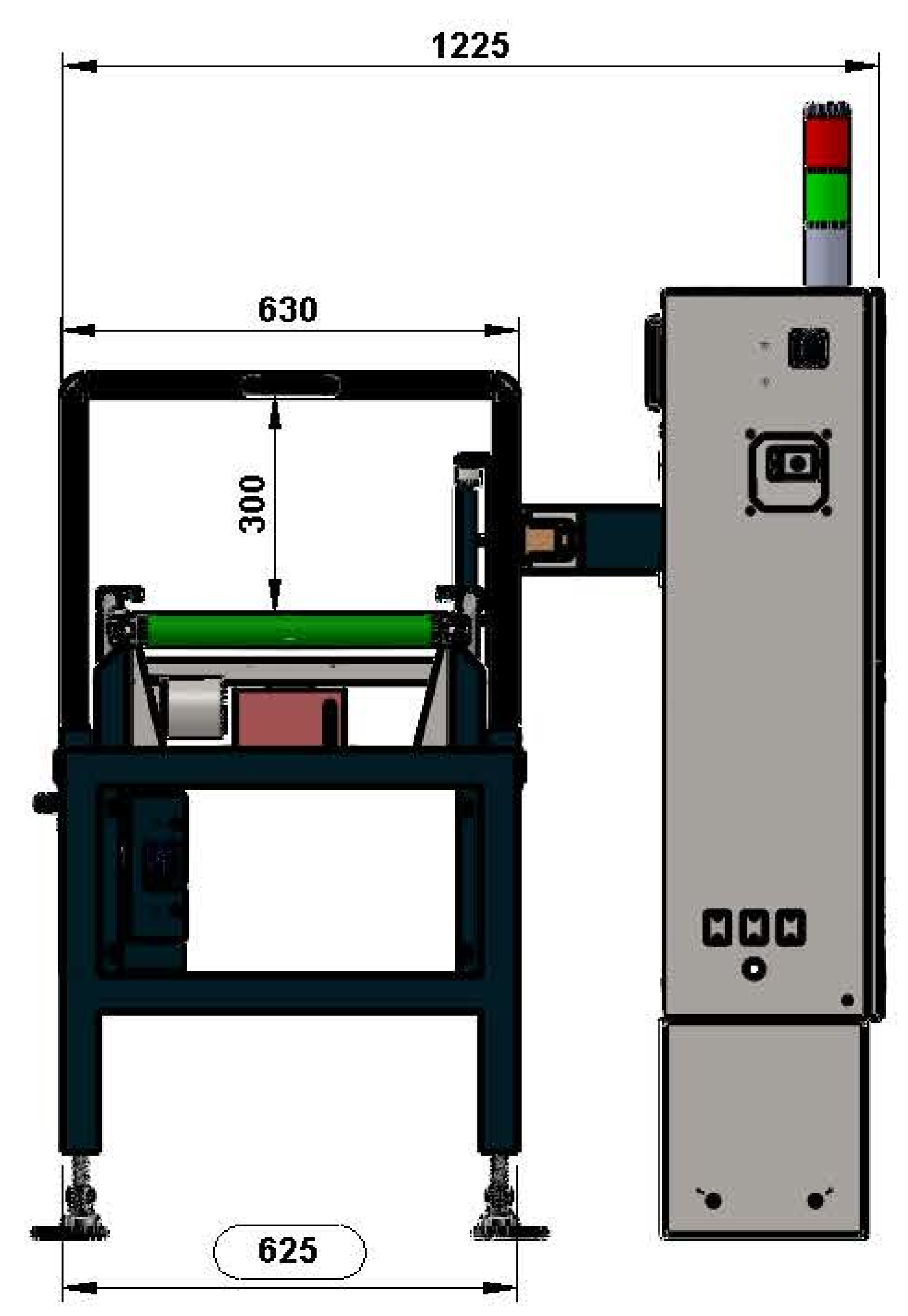


ISOMETRIC VIEW



ELEVATION

**GA OF AW-CWS-B3S ONLINE CHECK WEIGHER
MODEL NO : MLD-S-043-A**



SIDE VIEW

B3S- BOM		
SI NO	NAME	QTY
1	IFC & CWC ASSEMBLY	1 SET
2	OFC ASSEMBLY	1 SET
3	REJECTION DIVERTER MECHANISM	1 SET
4	AIR SHIELD	1 SET
5	CWS CONTROL PANEL	1 SET

- GENERAL NOTES :**
1. ALL HOLE TOLERANCE WITH IN ± 0.10 mm
 2. GENERAL TOLERANCE ± 0.20 mm
 3. USE ARC WELD TO BE 5mm FILLET UNLESS OTHERWISE SPECIFIED
 4. ALL MOUNTING HOLE ARE TO BE MATCHED WITH RESPECTIVE PART
 5. POWDER COATING THICKNESS SHOULD BE IN MINIMUM 60 μ
 6. AVOID SHARP CORNERS & SHARP EDGES
 7. ALL SHEET JOINT SHOULD BE TIG WELD.
 8. MARKED AT CRITICAL DIMENSION.

CONTROLS PRIVATE LIMITED TITLE: GA OF B3S-ONLINE CHECK WEIGHER FOR: MLD-S-043-A		SCALE: 1:50 DRG.NO: M-1290 SHEET 59 OF 59	
		NO. <input type="checkbox"/> FIRST ISSUE NO. <input type="checkbox"/> REVISIONS NO. <input type="checkbox"/> RELEASED FOR MANUFACTURE NO. <input type="checkbox"/> RELEASED FOR APPROVAL NO. <input type="checkbox"/> RELEASED FOR REFERENCE ONLY	BY: MALAI DATE: 1/30/2020 CHECKED: THIYAGU APPROVED: HSAM