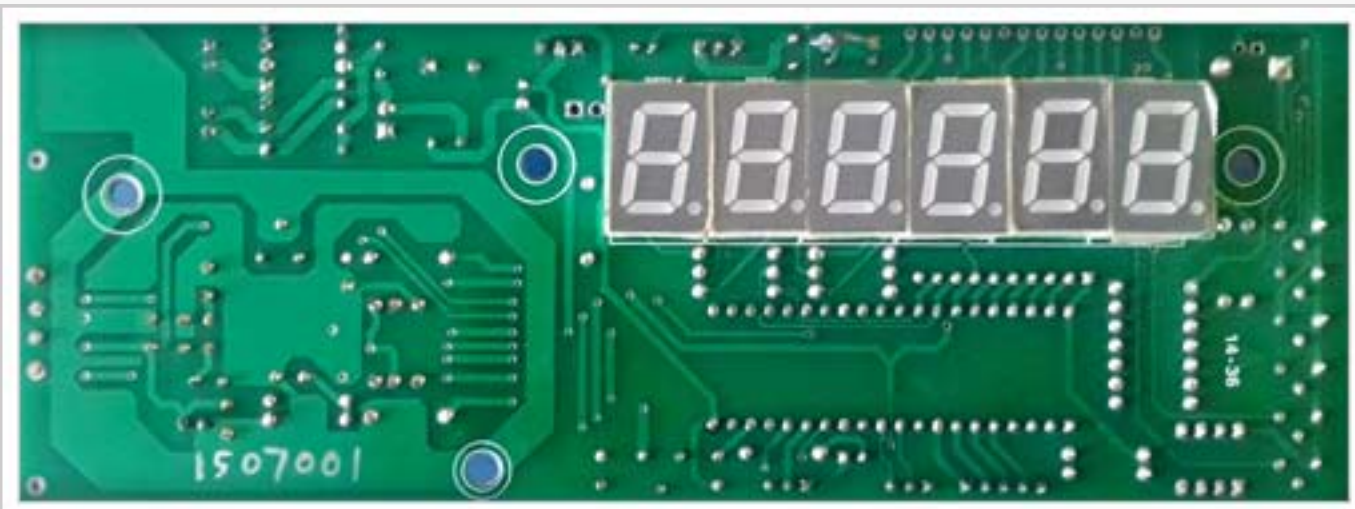




www.lcscontrols.in

# HIGH RESOLUTION WEIGHT PCB

Used in retail scales, platform scales, for any weight indicator products by Dealers, System Integrators, OEMs



Buy our PCB cards & make your own brand weigh scales

## SPECIFICATIONS

- High accuracy with 20 bit resolution
- 6-digit bright red color 0.56" LED display
- Simple, easy to install
- Battery backup: 6-8 hours
- PCB Dimension : 181(W) x 65(H) mm

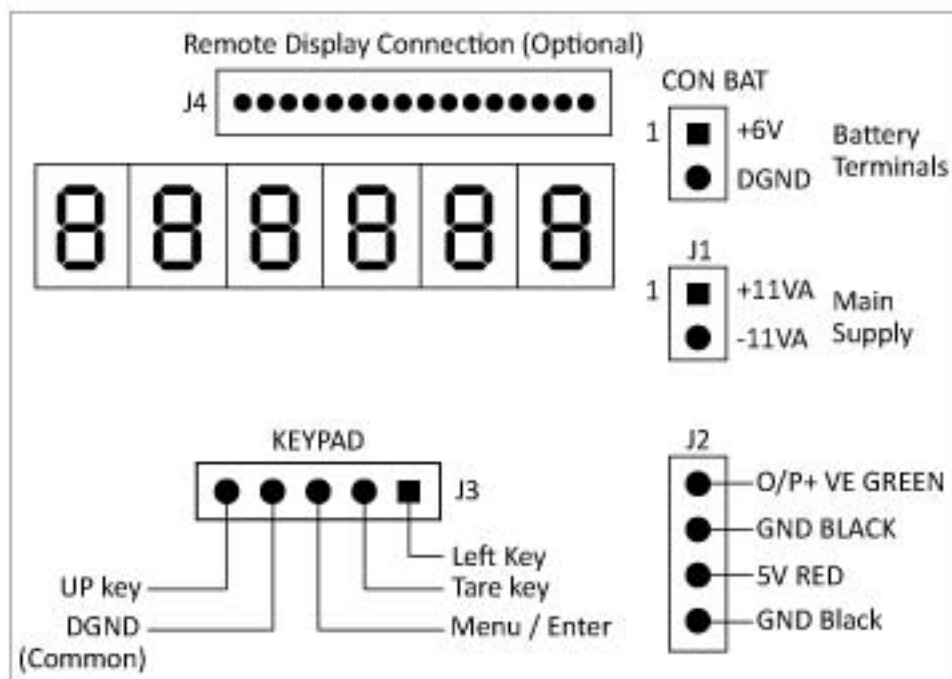
### Optional

- 6-digit 0.56" LED Remote display

### Customer Scope

- Step down transformer 230V AC to 11V AC, 0.5A
- Keypad (4 keys)
- Rechargeable battery - 6V / 1.2 Ah

## SCHEMATIC



### LCS Controls Private Limited

Partner in weighing & Automation

34 & 35, First link street, Nehru Nagar, off Rajiv Gandhi Salai, Kottivakkam, Chennai - 600 041, India.

Phone : +91-44-2454 0345 / 2510 / 0347

Mobile : +91-94440 24124 / 24125 / 24537

E Mail : [sales@lcscontrols.in](mailto:sales@lcscontrols.in) Website : [www.lcscontrols.in](http://www.lcscontrols.in)

### Singapore office

### LCS Controls Pte Ltd

No: 10, Ubi Crescent #03-37 Ubi Techpark Lobby C, Singapore - 408564.

☎ +65 66522831

📱 +65 8113 1946

✉ [sales@lcscon.com](mailto:sales@lcscon.com) 🌐 [www.lcscon.com](http://www.lcscon.com)

Bipin Kumar Yadav (ASM- East)

Mob: +91-74638 61953

Koushik Mondal (Sales Engr - East)

Mob: +91- 94746 24741

Bipul Suman (ASM - North)

Mob: +91-82857 11476

Santhoshkumar M (Sr. Rgnl Engr - Central)

Mob: +91-98843 46099

Srikanth CH (Sr. Rgnl Engr - West)

Mob: +91-98400 88071

Vignesh Sundar (Sales Engr - South)

Mob: +91-99626 85669

